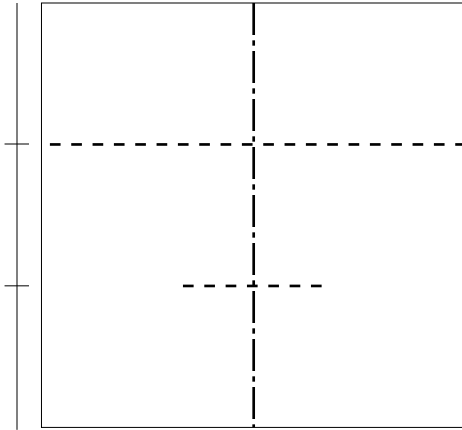


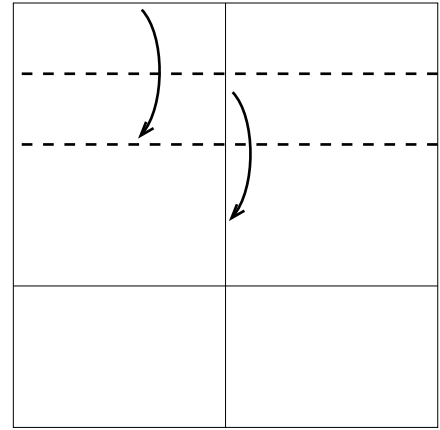
Shark Tooth

Matt Slayton • Diagrams Alex Barber • 1995

1

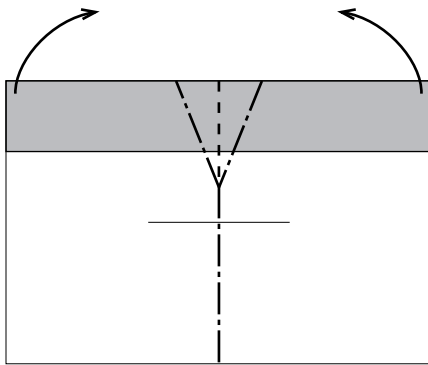


2

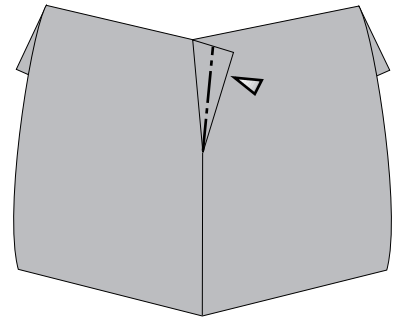


Precrease - the horizontal creases are thirds. The bottom third is only a pinch.

3



4

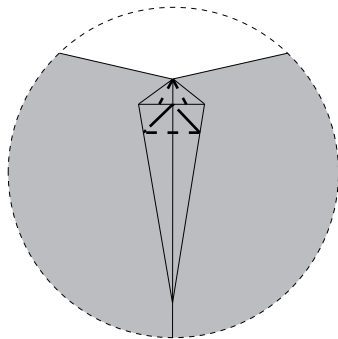


Squash fold the flap.

Make a small reverse fold at the top while mountain folding the model in half.

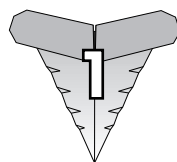
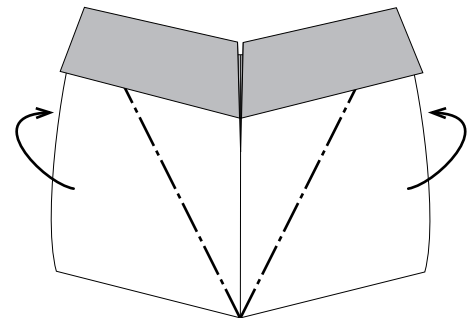
The model will not lie flat after this step.

5

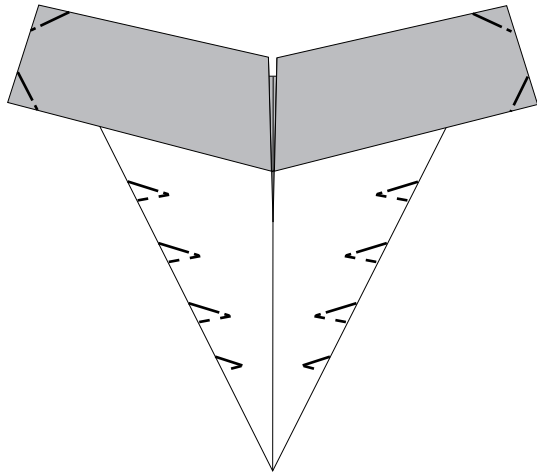


Petal fold to lock.

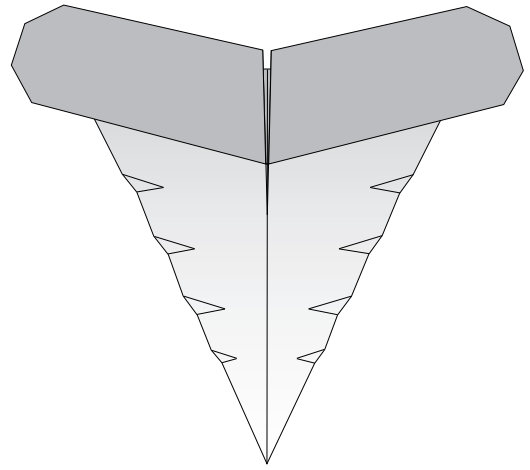
6



7



8



Round the edges along the top of the tooth and crimp the edges.

